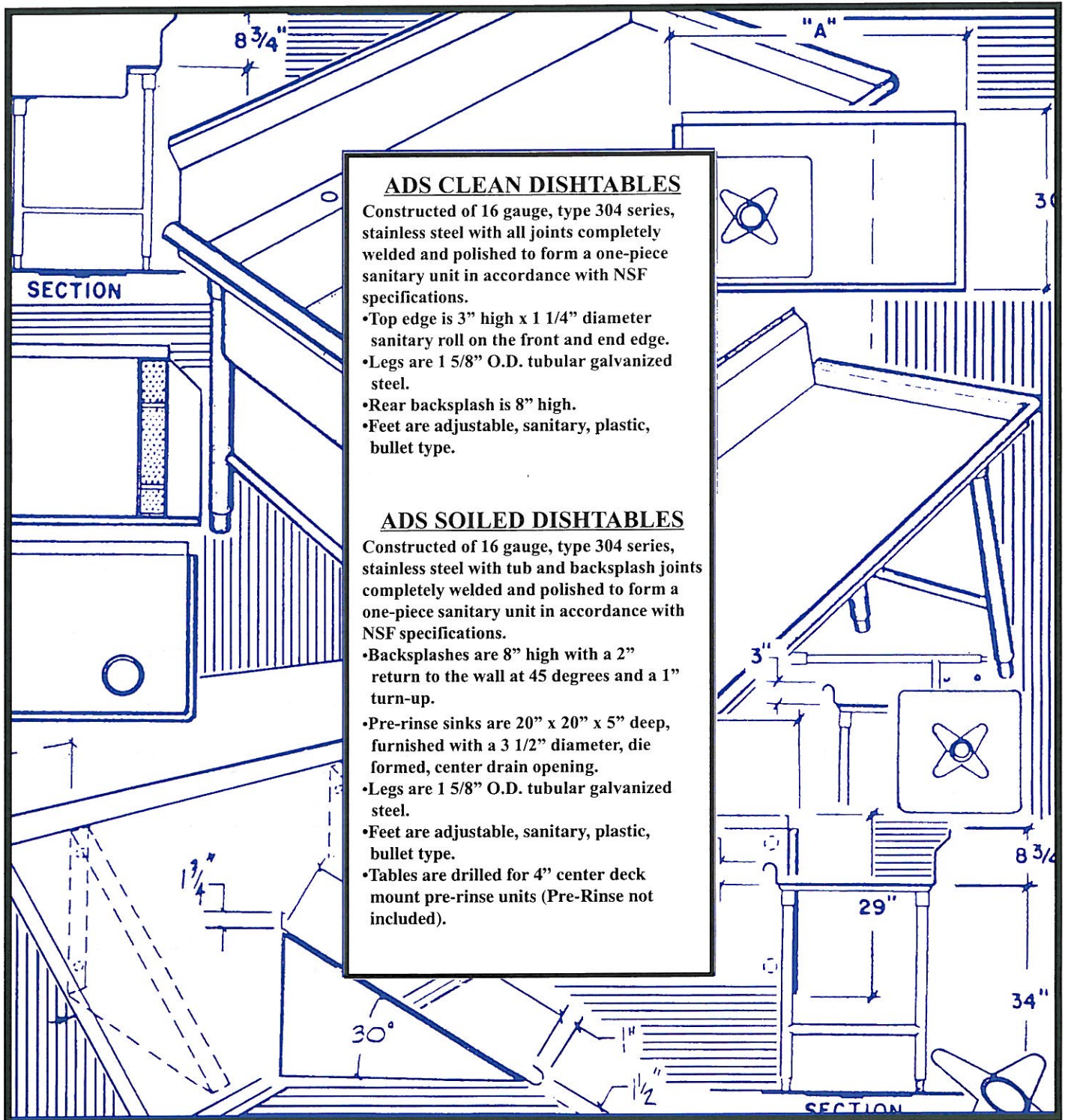


American Dish Service

Dishtable Specifications



ADS CLEAN DISHTABLES

Constructed of 16 gauge, type 304 series, stainless steel with all joints completely welded and polished to form a one-piece sanitary unit in accordance with NSF specifications.

- Top edge is 3" high x 1 1/4" diameter sanitary roll on the front and end edge.
- Legs are 1 5/8" O.D. tubular galvanized steel.
- Rear backsplash is 8" high.
- Feet are adjustable, sanitary, plastic, bullet type.

ADS SOILED DISHTABLES

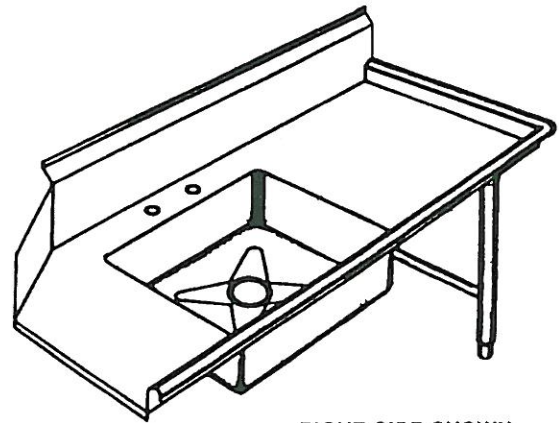
Constructed of 16 gauge, type 304 series, stainless steel with tub and backsplash joints completely welded and polished to form a one-piece sanitary unit in accordance with NSF specifications.

- Backsplashes are 8" high with a 2" return to the wall at 45 degrees and a 1" turn-up.
- Pre-rinse sinks are 20" x 20" x 5" deep, furnished with a 3 1/2" diameter, die formed, center drain opening.
- Legs are 1 5/8" O.D. tubular galvanized steel.
- Feet are adjustable, sanitary, plastic, bullet type.
- Tables are drilled for 4" center deck mount pre-rinse units (Pre-Rinse not included).

SOILED DISHTABLES

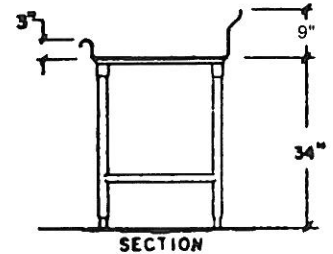
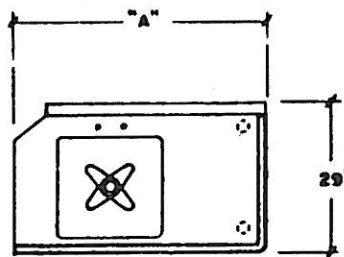
STRAIGHT TABLES

MODEL	LENGTH "A"
ADS-S2	26"
ADS-S3	36"
ADS-S4	48"
ADS-S6	60"
ADS-S7	72"

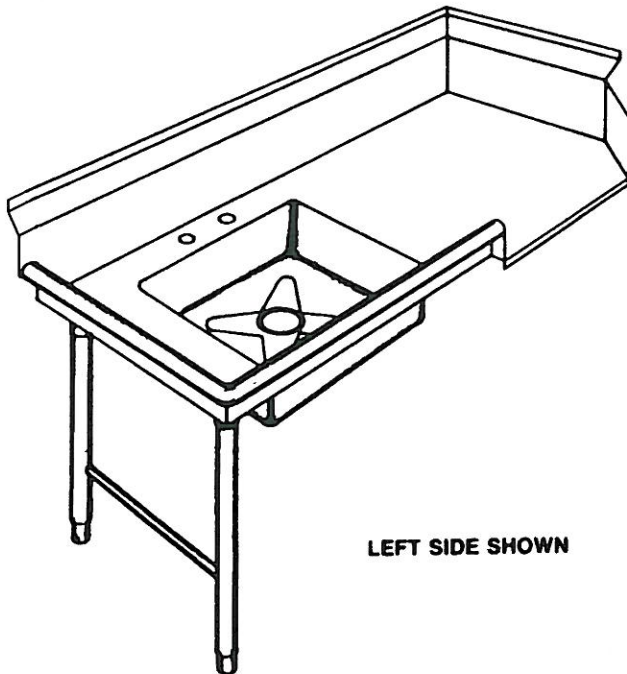


RIGHT SIDE SHOWN

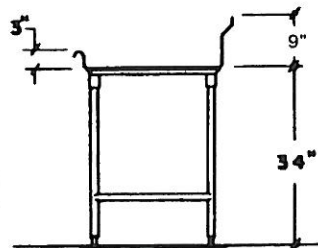
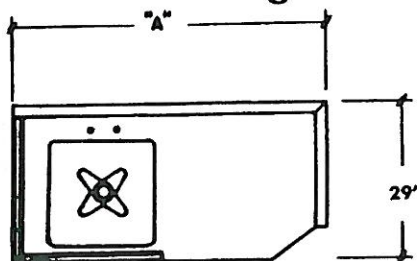
Tables available in either left or right hand models.



SECTION



LEFT SIDE SHOWN



SECTION

SIDE ENTRY TABLES

MODEL	LENGTH "A"
ADS-SSE-4	48"
ADS-SSE-6	60"
ADS-SSE-7	72"

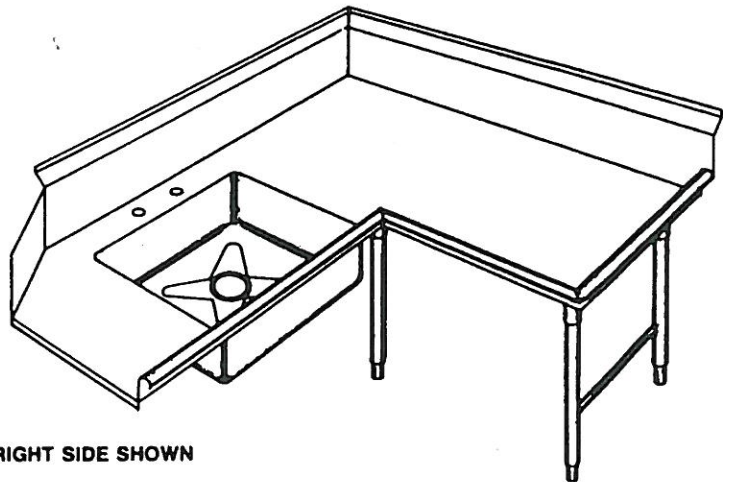
Tables available in either left or right hand models.



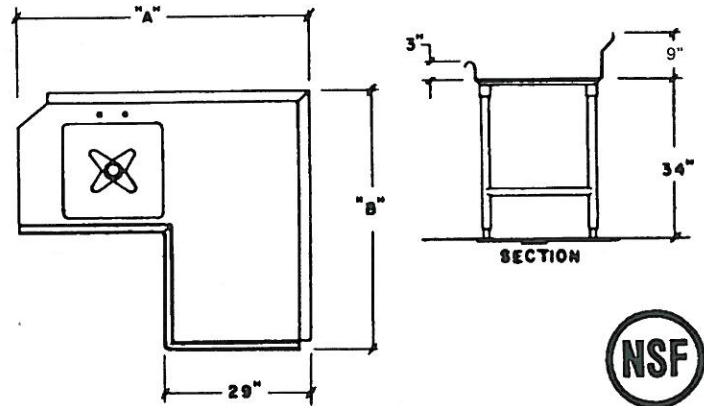
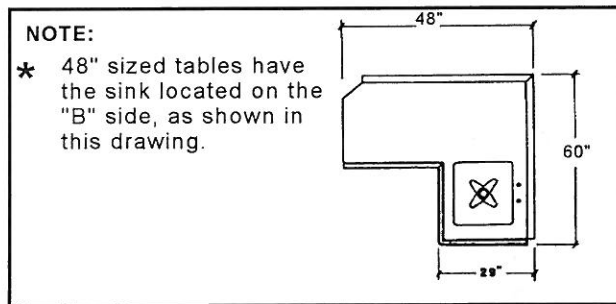
EFFECTIVE
01/01/02

"L" CORNER TABLES

MODEL	LENGTH "A"	LENGTH "B"
* ADS-SC4	48"	60" *
ADS-SC6	60"	60"
ADS-SC7	72"	60"



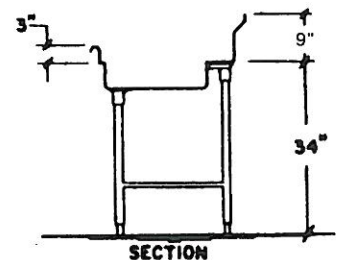
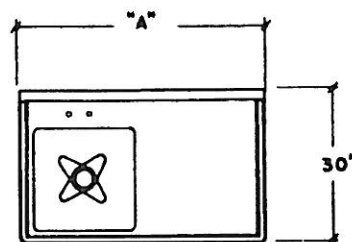
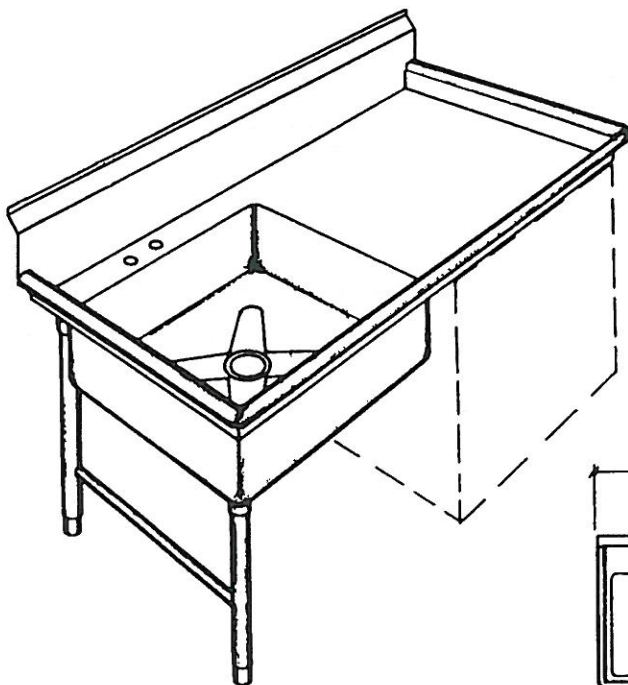
Tables available in either left or right hand models.



UNDERCOUNTER DISHTABLES

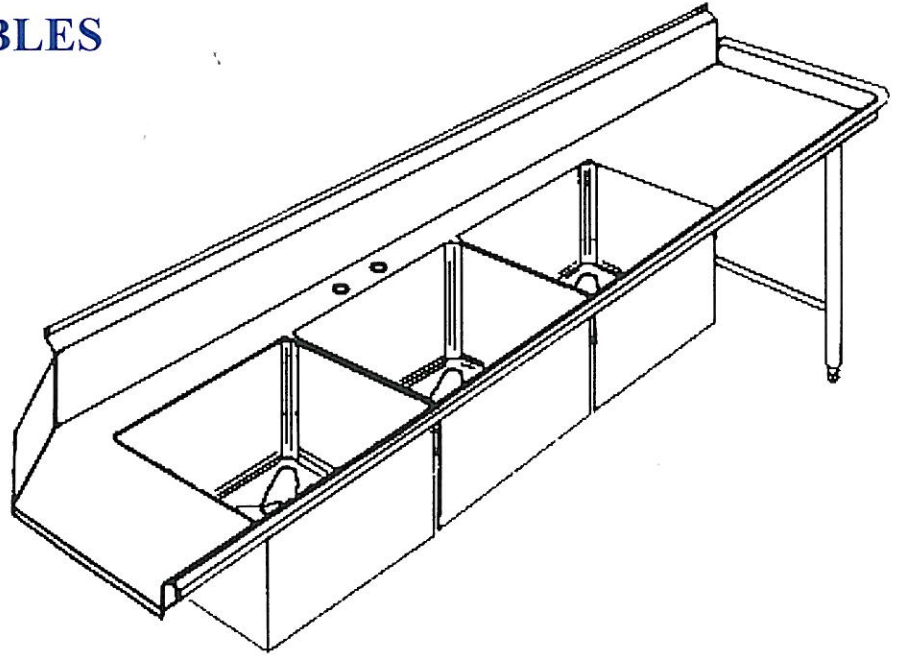
ADS-UC	48"
--------	-----

Tables available in either left or right hand models.



* Taller Legs Available

THREE-VAT SOILED TABLES



Includes Scrap Basket/Rack Slide Combo (One Piece Unit)

SINK SIZE	OVERALL LGTH.
17" x 21" x 14" Deep	61"
20" x 20" x 14" Deep	70"
20" x 20" x 14" Deep W/20" Drainboard	88" (Shown)

**All Installations require a Pre-Rinse
W/ 12" Swing Style Add-A-Faucet.**

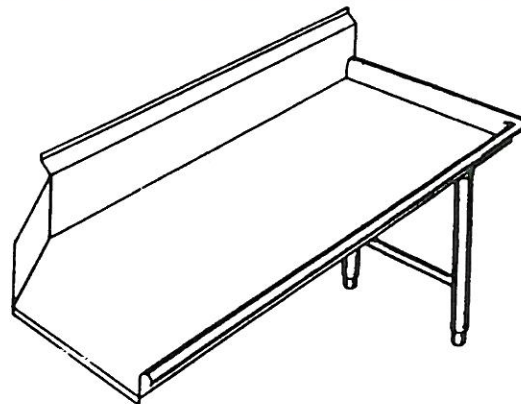
Other sizes available as well as Hand Sinks and Sink Covers can be added.

CLEAN DISHTABLES

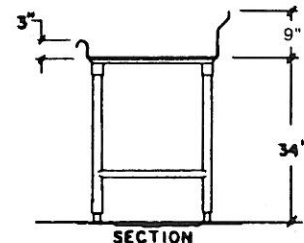
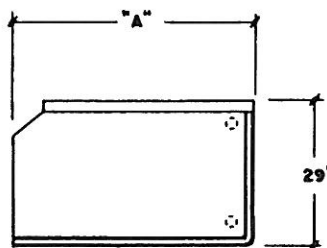
STRAIGHT TABLES

MODEL	LENGTH "A"
ADS-C2	26"
ADS-C3	36"
ADS-C4	48"
ADS-C6	60"
ADS-C7	72"

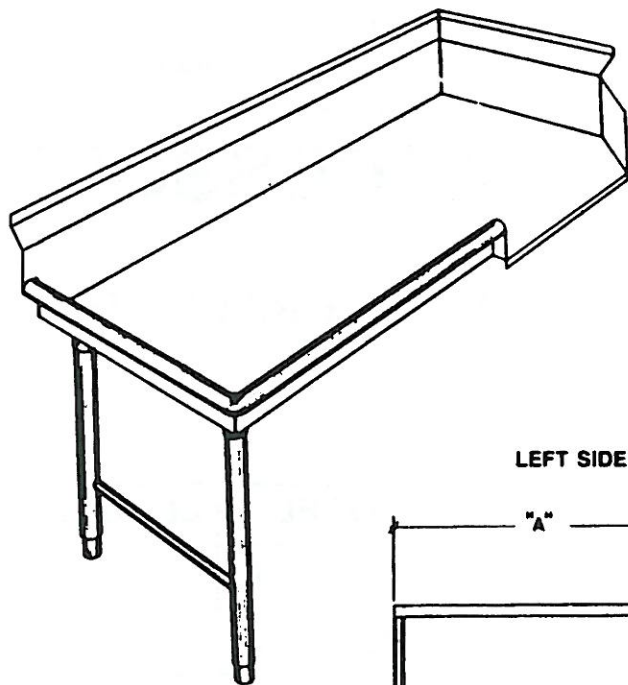
Tables available in either left or right hand models.



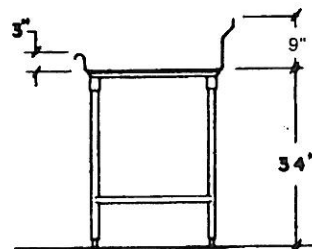
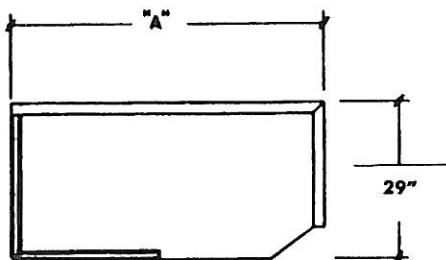
RIGHT SIDE SHOWN



SECTION



LEFT SIDE SHOWN



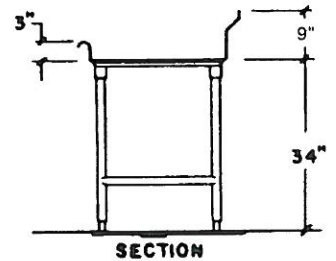
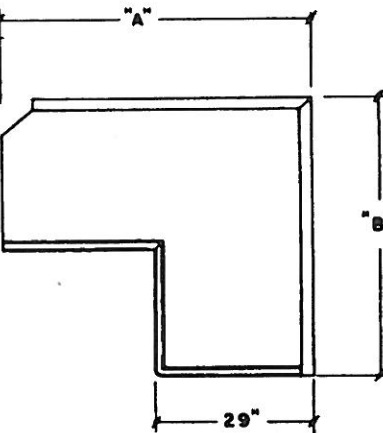
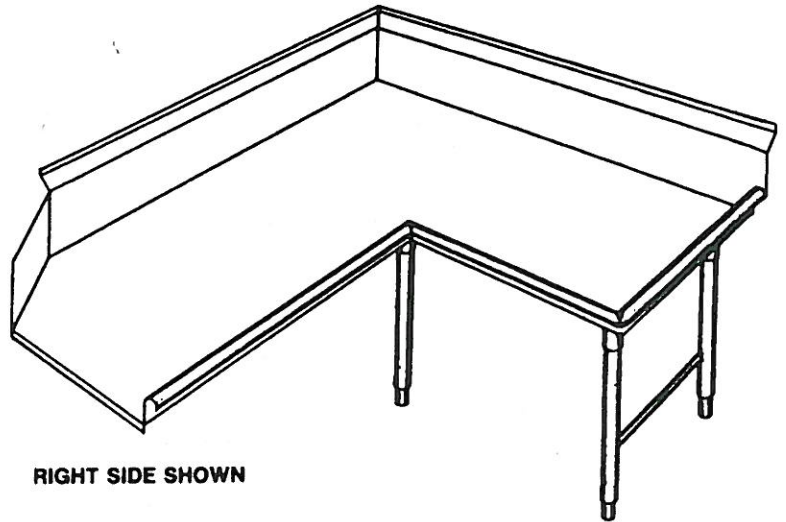
SECTION

SIDE ENTRY TABLES

MODEL	LENGTH "A"
ADS-CSE-4	48"
ADS-CSE-6	60"
ADS-CSE-7	72"

"L" CORNER TABLES

MODEL	LENGTH "A"	LENGTH "B"
ADS-CC-4	48"	60"
ADS-CC-6	60"	60"
ADS-CC-7	72"	60"

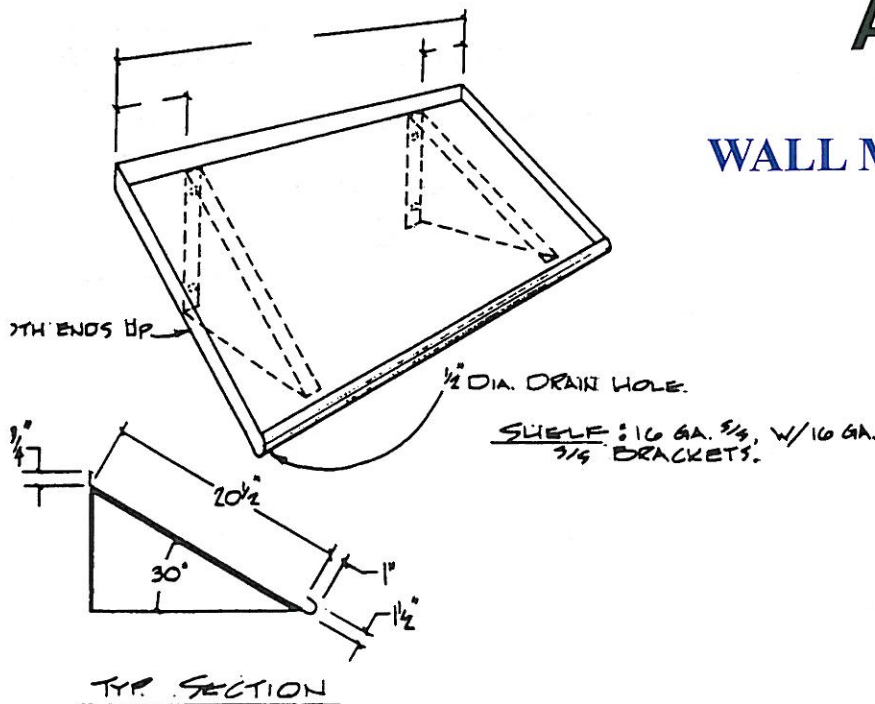


Tables available in either left or right hand models.



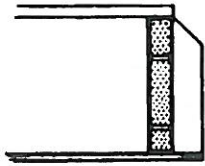
ACCESSORIES

WALL MOUNT RACK SHELVES

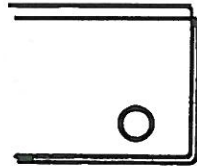


MODEL	LENGTH
ADS-WS-1	22"
ADS-WS-2	42"
ADS-WS-3	63"

ACCESSORIES

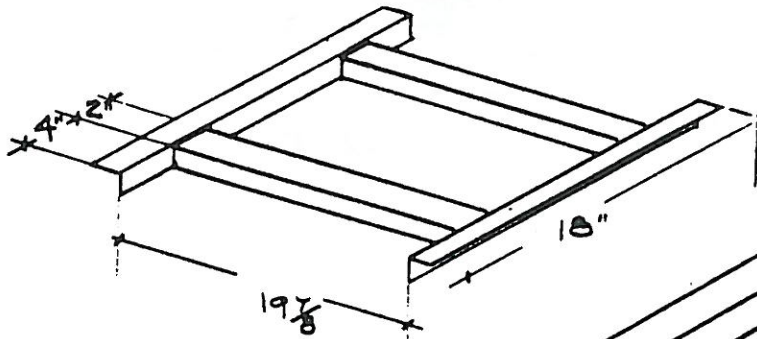


CROSS DRAIN TROUGH

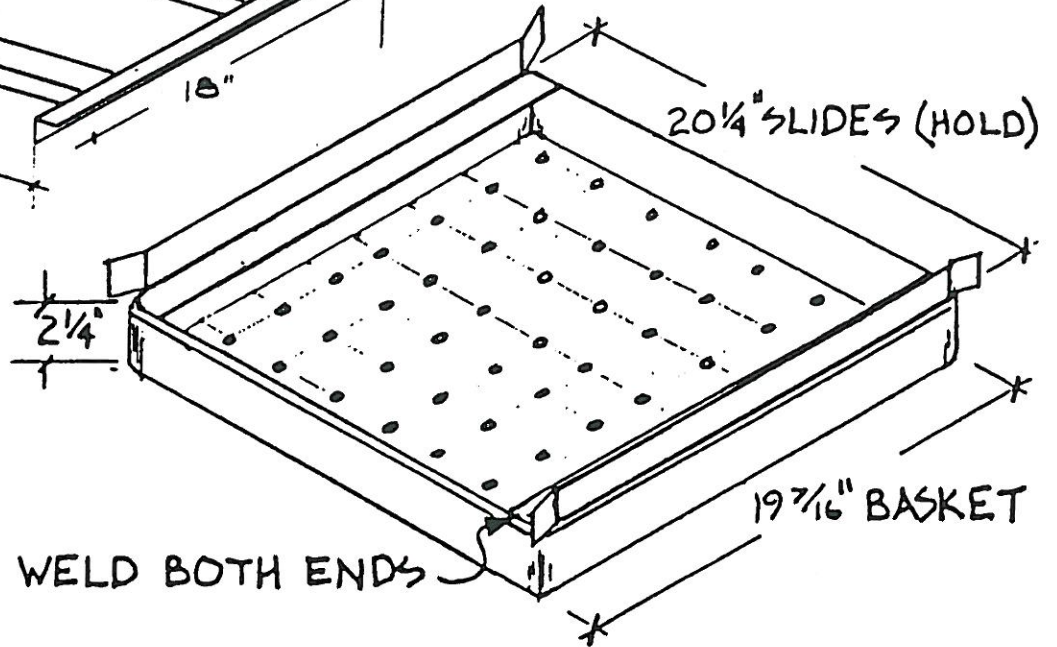


SCRAP BLOCK

MODEL#	MODEL
ADS-RS	Rack Slide
ADS-SB	Scrap Basket
ADS-DT	Cross Drain Trough
ADS-BK	Scrap Block



Rack Slide



Standard Scrap Basket with Rack Slide Model # ADS-SB



American Dish Service

Manufacturers of Ware Washing Equipment

900 Blake Street
Edwardsville, Kansas 66111
Ph:(913) 422-3700
Fax:(913) 422-6630
